

# PureWaterCooler™

by VERTEX®

**Taller!**

**PWC-1000T**

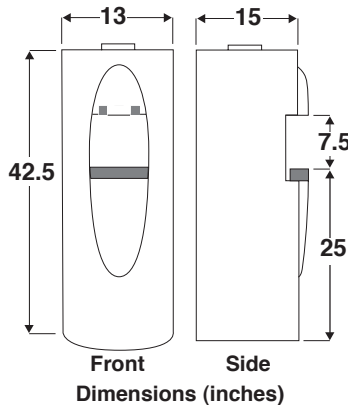


## Low Cost Hot & Cold water Dispenser

*New Taller Cabinet means easier refill. Makes great tasting water from your tap. Eliminates the hassle of 5-gallon bottles. Great for offices and factories.*

### Features

- Two temperature system  
Cold: 37-50° F, Adjustable • Hot: 180° F, Autocontrol  
LED indicator for hot and cold water on the front panel
- Individual on/off control switches for cold or hot water on rear panel
- Completely sealed stainless steel cold reservoir and hot tank
- Convenient, enclosed, no-drip dispensing faucets
- Safety lock for hot water faucet
- Built-in filtration system is easily accessed for replacement  
Available with Reverse Osmosis filtration system  
Or Standard Dual-Cartridge filtration system
- Available with ultraviolet or ozone sterilizer



Filter assembly is front door accessible. Executive Gray cabinet available (right).



### ORDERING

2-Temp Model - 50 GPD Reverse Osmosis	<b>PWC-1000TR</b>
2-Temp Model - Standard Filtration	<b>PWC-1000TF</b>
Executive Gray Cabinet	add /EG
2-temp Model with UV sterilizer	add /UV
2-temp Model with Ozone sanitizer	add /OZ
2-temp Model w/ ProTekk Leak Detector	add /ldm
Optional stand, adds 6 inches to height	call factory
Cup holder	call factory
Replacement Filters	
Sediment	<b>IFA-4035</b>
GAC Carbon	<b>IFA-4034</b>
RO membrane, 50 GPD	<b>MA-4203</b>

### Specifications

Weight: 59 lb.  
 Dimension: 13"W x 15"D x 42.5"H  
 Floor to spigot: 32.5"  
 Spigot to Drip Tray: 7.5"  
 Cold tank volume 1 gal  
 Hot tank volume .5 gal  
 Heating Rate: 1.5 gal/hr 180 °F  
 Cooling Rate: 1.5 gal/hr 37-50 °F  
 Voltage: 115 VAC  
 Power Required: 600w max  
 Meets Energy Star Requirements



### Filter System

Standard Filter **1000TF**  
**Stage 1:** 5 micron Sediment  
**Stage 2:** 10 micron Activated Carbon  
 Reverse Osmosis Filter **1000TR**  
 Above 2 stages plus  
**Stage 3:** 50-GPD RO Membrane  
 Automatic tank full control  
 Fully assembled  
 - connection hardware included  
 Meets Energy Star Requirements  
 ADA compliant

Authorized Dealer

