

# PureWaterCooler™

by VERTEX®

## PWC 1800

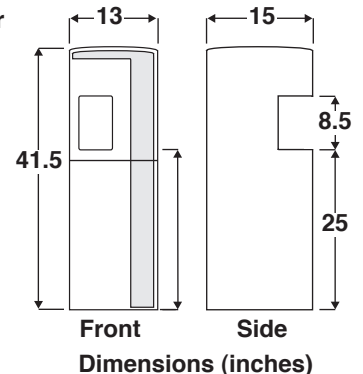


## Latest 2-temp Design with Upscale Look

*Newest bottle-less water cooler with integrated cup holder and no-touch, single dispensing faucet provides great tasting hot or cold water at a touch of a button. The built-in filter system provides unlimited supply of fresh great tasting water when you need it eliminating the cost and hassle of 5-gallon bottles.*

### Features

- Two temperature system  
Cold: 37-50° F, Adjustable • Hot: 180° F, Autocontrol  
LED indicator for Hot and Cold water on the front panel
- Newly designed fill opening allows larger cups, mugs or reusable bottles
- Hygienic dispensing touch pad control with no-touch dispensing faucet
- Individual on/off control switches for cold and hot water on rear panel
- Completely sealed stainless steel cold reservoir and hot tank
- Built-in filtration system is easily accessed for replacement  
Available with Reverse Osmosis filtration system  
Or Standard Dual-Cartridge filtration system
- Available with ultraviolet or ozone sterilizer
- Attractive LED lighted dispense area
- Integrated cup dispenser
- 1 year limited warranty
- 3 year compressor warranty



### Specifications

Weight: 58 lb.  
Dimension: 13"W x 15"D x 41.5"H  
Cold tank volume 1 gal  
Hot tank volume .5 gal  
Cooling Rate: 1.5 gal/hr 37-50 °F  
Heating Rate: 1.3 gal/hr 180 °F  
Voltage: 115 VAC  
Power Required: 600w max  
*Meets Energy Star Requirements  
ADA compliant*

### Filter System

Standard Filter **1800F**  
**Stage 1:** 5 micron Sediment  
**Stage 2:** 10 micron Activated Carbon  
Reverse Osmosis Filter **1800R**  
Above 2 stages plus  
**Stage 3:** 50-GPD RO Membrane  
Automatic tank full control  
Fully assembled  
- connection hardware included



### ORDERING INFORMATION

2-Temp Model - 50 GPD Reverse Osmosis	<b>PWC-1800R</b>
2-Temp Model - Standard Filtration	<b>PWC-1800F</b>
2-Temp Dispenser with UV stage	add /UV
2-temp model with Ozone sanitizer	add /OZ
2-temp Model w/ ProTekk Leak Detector	add /ldm
Replacement Filters    Sediment	<b>IFA-4035</b>
GAC Carbon	<b>IFA-4034</b>
RO membrane, 50 GPD	<b>MA-4203</b>

Authorized Dealer

